



Subject: CABIN AIR FILTER REPLACEMENT	Bulletin No: 07-003/02
	Last Issued: 5/7/2002

APPLICABLE MODEL(S)/VINS

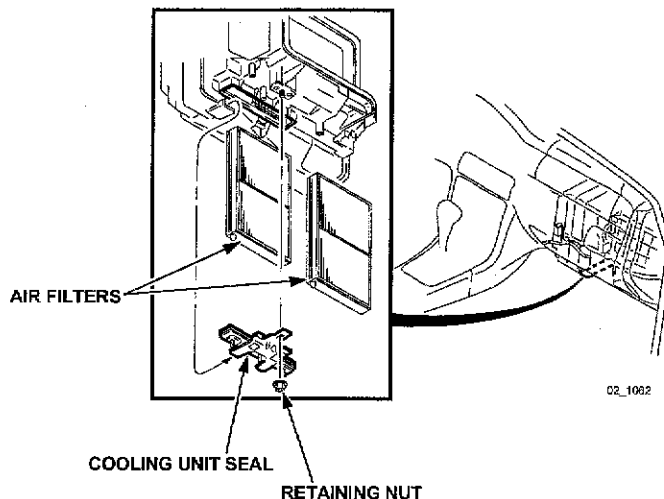
All 2001-2002 Millenia

DESCRIPTION

Some customers may not be aware that their vehicle is equipped with cabin air filters which require replacement as part of the scheduled maintenance. The two (2) air filters should be replaced once a year or every 12,000 miles. Please recommend to customers the need for air filter inspection due to the possibility of filter damage, excessive dirt, or foul odors.

REPAIR PROCEDURE

1. Remove both cabin air filters from the cooling unit assembly according to the Workshop Manual procedure (section 07-11 AIR FILTER REMOVAL/INSTALLATION).



2. Once removed, inspect both cabin air filters for damage, excessive dirt, or foul odor.

NOTES:

- If the air filter is damaged, excessively dirty, or foul smelling, replace it.
- The air filter cannot be reused by cleaning it with water or compressed air.

3. Install cabin air filters into the cooling unit assembly.
4. Verify service/repair.

CONSUMER NOTICE: The information and instructions in this bulletin are intended for use by skilled technicians. Mazda technicians utilize the proper tools/equipment and take training to correctly and safely maintain Mazda vehicles. These instructions should not be performed by "do-it-yourselfers." Customers should not assume this bulletin applies to their vehicle or that their vehicle will develop the described concern. To determine if the information applies, customers should contact their nearest authorized Mazda dealership.

Bulletin No: 07-003/02	Last Issued: 5/7/2002
-------------------------------	------------------------------

PART(S) INFORMATION

Part Number	Description	Qty.	Notes
TA05-61-J6X	Cooling Unit Air Filter Set	1	1 set includes both filters

WARRANTY INFORMATION

Scheduled maintenance replacement of cooling unit (cabin) air filter set is a customer pay maintenance item. Normal warranty does not cover maintenance parts.