



<b>Subject:</b>  AIR CONDITIONING - MUSTY / MILDEW ODOR	<b>Bulletin No:</b> 07-004/02
	<b>Last Issued:</b> 8/30/2002

## BULLETIN NOTE

This bulletin supersedes 07-002/00, issued 02/07/00. The APPLICABLE MODELS and PART(S) INFORMATION have been revised.

## APPLICABLE MODEL(S)/VINS

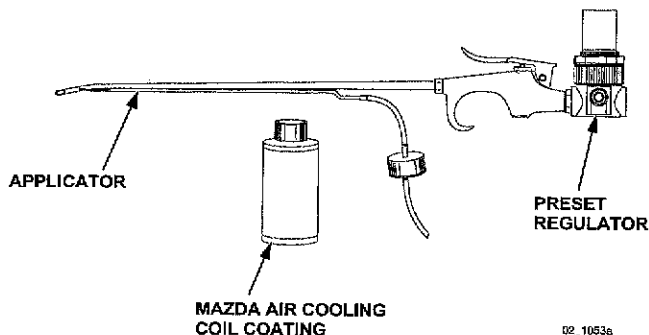
- 1998-2002 626
- 1998-2002 Protege
- 2002 Protege5
- 2000-2002 MPV
- 1998 MPV
- 1998-2002 Millenia
- 1999-2002 Miata
- 2001-2002 Tribute

## DESCRIPTION

A musty/mildew type odor may come from the vents when the air conditioning (A/C) system is operating. It is most noticeable when the A/C is first turned ON. This odor is the result of mold growth in the A/C evaporator/cooling unit which is caused by condensation, dust, and pollen within the cooling unit. This condition is usually worse during high humidity conditions. "Mazda Air Cooling Coil Coating" is available to encapsulate the mold to reduce odors. If the product is properly applied, it can effectively reduce the musty/mildew odor for up to three years.

**NOTE:** See parts information for Mazda Air Cooling Coil Coating and Kit part numbers.

### MAZDA AIR COOLING COIL COATING KIT



**CONSUMER NOTICE:** The information and instructions in this bulletin are intended for use by skilled technicians. Mazda technicians utilize the proper tools/equipment and take training to correctly and safely maintain Mazda vehicles. These instructions should not be performed by "do-it-yourselfers." Customers should not assume this bulletin applies to their vehicle or that their vehicle will develop the described concern. To determine if the information applies, customers should contact their nearest authorized Mazda dealership.

This treatment provides a durable coating that will aid to prevent biological reactions that lead to odor concerns. It is applied to the evaporator in a misted form that is introduced by way of the re-circulate door, the blower motor resistor access, or the blower motor air intake (on rear a/c only). Proper application requires the evaporator.

- Surface to be relatively clean and free of leaves, dust build-up and debris.
- To be thoroughly dried, and the product cured onto it after application.

**NOTE:**

- A/C odor is not unique to Mazda vehicles as it will occur in other makes and models.
- To minimize A/C odor, inform customers of the following suggestions:
  - Keep the cooling unit dry by leaving the blower fan ON (at least on low), even if the A/C is not being used.
  - In low humidity (dry) conditions, keep the ventilation system in the "FRESH" mode all the time, or as much as possible.
  - In high humidity conditions, or if the air has a lot of dust or pollen, keep the system in the "RECIRCULATION" mode.
  - A few minutes before reaching a destination, turn the A/C OFF, but leave the blower fan ON. This stops the accumulation of condensation on the evaporator/cooling unit, and it helps dry the inside of the cooling unit.

Customers having this concern should have their vehicle repaired using the following procedure.

## REPAIR PROCEDURE

1. Verify customer concern.
2. Verify that evaporator drain has no blockage.
3. Apply "Mazda Air Cooling Coil Coating" according to the attached instructions. Refer to the table below for the applicable repair instructions.

Repair Procedure	Page(s)
1998-2002 626	4-5
1998-2002 Protege & Protege5	6-7
2000-2002 MPV Front AC	8-9
2000-2002 MPV Rear AC (if equipped)	10
1998 MPV Front A/C	11-12
1998 MPV Rear A/C (if equipped)	13
2001-2002 Millenia (with cabin air filter)	14-16
1998-2000 Millenia	17-18
1999-2002 Miata	19-20
2001-2002 Tribute	21-22

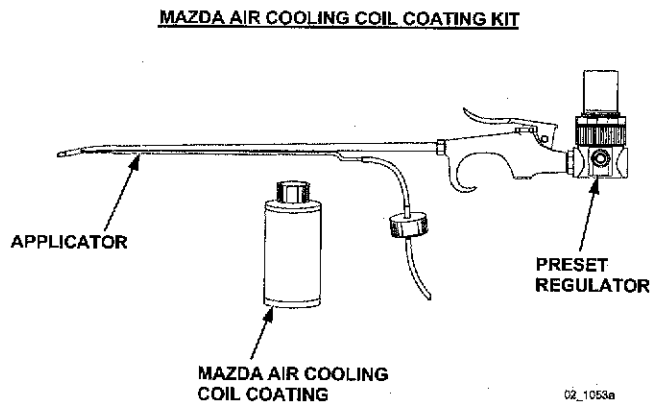
**NOTE:**

- Follow attached instructions completely to ensure an effective repair. If insufficient care is taken on the drying sequence of product, the coating will not last, and the concern will reoccur.
- If odor is still present after treatment, it may be necessary to remove and clean evaporator, evaporator foam, and inside of cooling unit housing with a mild dish soap and water solution. To avoid damage to components, do not clean with bleach. See Workshop Manual section 07 for removal instructions.

**WARNING:**

- When using this product, avoid skin and eye contact. Wear safety glasses and gloves, and avoid breathing vapors.
- Read all the safety and first aid instructions on the back of the Mazda bottle.

4. Verify repair.

**PART(S) INFORMATION**

Part Number	Description	Qty.	Notes
0000-77-570K-01	Mazda Air Cooling Coil Coating Kit	1	Includes applicator, pressure regulator, and 4- bottles of Mazda Air Cooling Coil Coating 118 ml (4 fl oz)
0000-77-550E-01	Mazda Air Cooling Coil Coating	1= (4bottles)	Replacement bottles 118 ml (4 fl oz), requires one-bottle per vehicle (two-bottles required for MPV with rear air)

**WARRANTY INFORMATION**

**Note:** This repair is not covered by warranty.

**2001-2002 Millenia (with cabin air filter)**

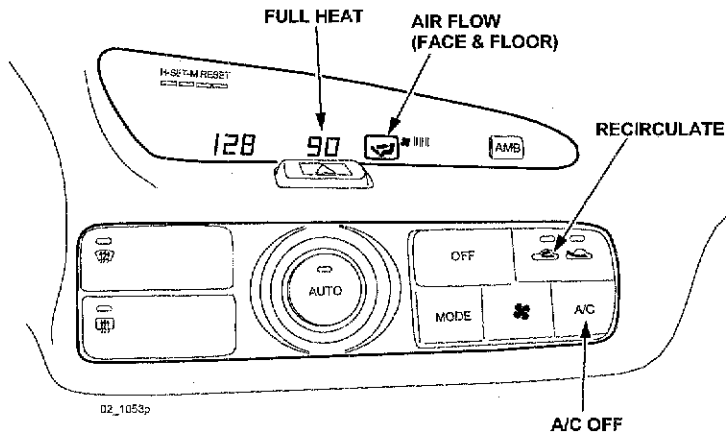
## 1. Dry evaporator using the following procedure:

**WARNING:** Running the engine inside an enclosed area, such as a garage, is dangerous. Exhaust gas, which contains poisonous carbon monoxide, could easily enter the cabin. Loss of consciousness or even death could occur. Don't run the engine when inside an enclosed area.

A. Start engine.

B. Set HVAC controls as follows:

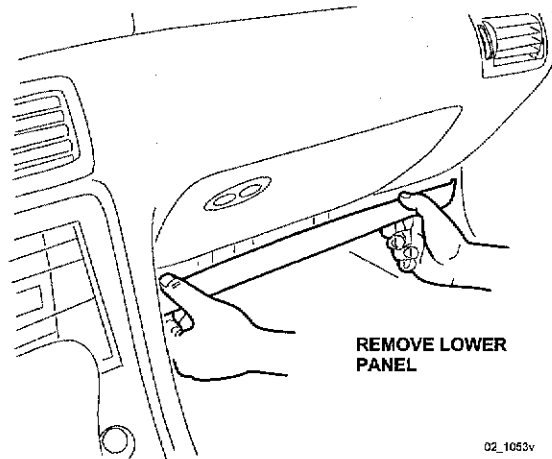
- RECIRCULATE
- FULL HEAT (display indicates 90°F)
- FAN HIGH
- A/C OFF (<blank>)
- AIRFLOW (FACE)



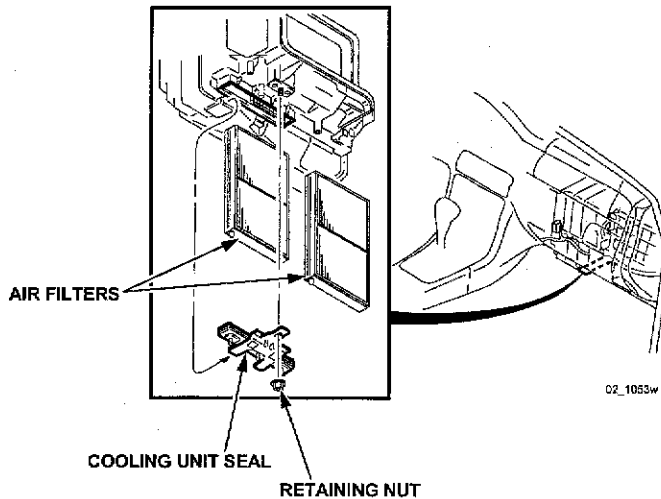
**NOTE:** There are three A/C positions on LCD panel (A/C, A/C econ, <blank>). Depress A/C button until <blank> is selected.

- Open one window approximately  $\frac{1}{2}$ ".
- Let engine run for 10 minutes.

2. Remove lower panel by pulling downward at both ends.

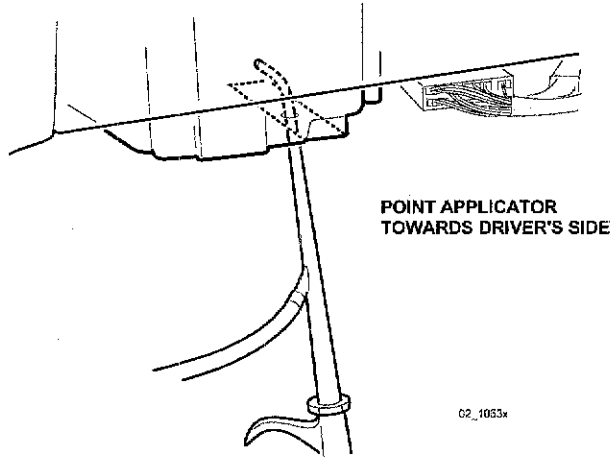


3. Remove 10 mm nut retaining cabin air filter bracket.



4. Remove bracket by sliding downward.
5. Remove cabin air filters by sliding downward. Discard filters if dirty.
6. Cover cabin air filter access hole with duct tape.
7. Pierce hole in center of duct tape with knife.

8. Shake well the bottle of Mazda Cooling Coil Coating and attach it to applicator. Then connect applicator to compressed shop air.
9. Insert applicator in pierced hole through duct tape.



10. Point nozzle tip in the direction of driver's side.
11. Spray entire contents of bottle in short bursts, 3 seconds ON, 3 seconds OFF into rotating fan. A fine mist may exit from ducts.
12. When bottle is empty, stop engine and remove applicator. Let vehicle sit for 10 minutes.  
**NOTE:** For reuse, clean the applicator by flushing a bottle of clean water through it.
13. Use STEP 1 to dry and cure product.
14. Remove duct tape and install previously cleaned or new filters as needed.
15. Reinstall cabin air filter bracket.
16. Reinstall lower panel.
17. Note application date in service record.

**1998-2000 Millenia**

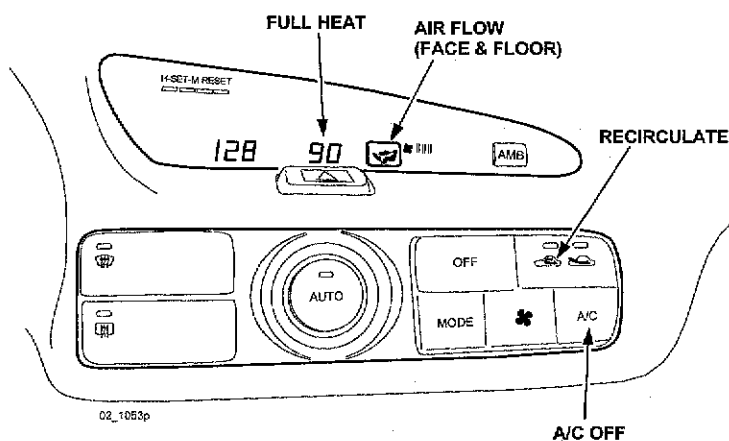
## 1. Dry evaporator using the following procedure:

**WARNING:** Running the engine inside an enclosed area, such as a garage, is dangerous. Exhaust gas, which contains poisonous carbon monoxide, could easily enter the cabin. Loss of consciousness or even death could occur. Don't run the engine when inside an enclosed area.

## A. Start engine.

## B. Set HVAC controls as follows:

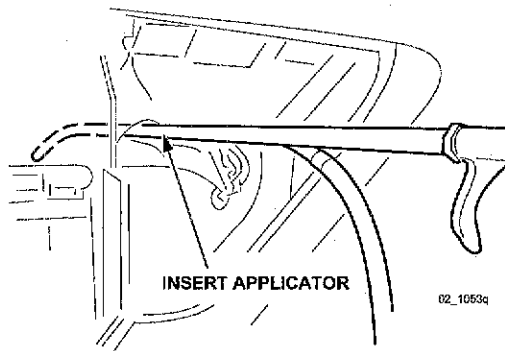
- RECIRCULATE
- FULL HEAT (display indicates 90°F)
- FAN HIGH
- A/C OFF (<blank>)
- AIRFLOW (FACE)



**NOTE:** There are three A/C positions on LCD panel (A/C, A/C econ, <blank>). Depress A/C button until <blank> is selected.

- C. Open one window approximately ½".
- D. Let engine run for 10 minutes.
2. Remove glove box by removing two (2) screws on bottom of glove box assembly.
3. Shake well the bottle of Mazda Cooling Coil Coating and attach it to applicator. Then connect applicator to compressed shop air.

4. Insert applicator through the right side glove box guide into grille of recirculation door. Point nozzle tip downwards and towards the center (approximately 7 o'clock position).



5. Spray entire contents of bottle in short bursts, 3 seconds ON, 3 seconds OFF into rotating fan. A fine mist may exit from ducts.
6. When bottle is empty, stop engine and remove applicator. Let vehicle sit for 10 minutes.  
**NOTE:** For reuse, clean the applicator by flushing a bottle of clean water through it.
7. Use STEP 1 to dry and cure product.
8. While product is drying, re-install glove box.
9. Note application date in service record.